

## GIRL'S SUNSET PULLOVER

Designed by Irina Poludnenko



EASY

### SIZES

Child's 4 (6, 8, 10) years

### KNITTED MEASUREMENTS

**Chest** 26 (28½, 31, 33½, 36)"/66 (72.5, 78.5, 85, 91.5) cm

**Length** 14½ (16, 17½, 19, 20½)"/37 (40.5, 44.5, 48.5, 52) cm

### MATERIALS

- 2 (2, 3, 3, 4) balls TahkiSelect **NAVAJO** 53% wool, 47% acrylic (1.75oz/50g; 190yds/175m) in **color #06 sunset (A)**
- 2 (2, 3, 3, 4) balls in **color #04 midnight sky (B)**
- One pair size 7 (4.5mm) needles
- **OR SIZE TO OBTAIN GAUGE**
- One size 7 (4.5mm) circular needle, 16"/40cm long for Neckband
- Stitch markers
- Yarn needle

### GAUGE

19 sts and 28 rows = 4"/10 cm in Stockinette stitch

### TAKE TIME TO CHECK GAUGE

### SPECIAL ABBREVIATIONS

**K2tog:** Knit 2 together (dec) – Knit 2 sts tog through the front loops.

**M1:** Make 1 left (inc) – Lift strand between needles to LH needle from front to back and work strand through the back loop, twisting it to prevent a hole, [knit or purl as indicated by pattern st].



**Ssk [or ssp]:** Slip, slip, knit [or purl] (dec) – Slip 2 sts, one at a time KNITWISE to RH needle, return the sts to LH needle in the turned position and knit [or purl] them together through the back loops.

### PATTERN STITCHES

**Stockinette stitch** (St st) Knit on RS, purl on WS.

**Garner stitch** (Garner st) Knit all sts every row.

### **K1, p1 rib (multiple of 2 sts)**

**Row/Rnd 1:** \* K1, p1 [or knit/purl number of sts indicated in instructions]; rep from \* across/around, end as indicated in instructions.

**Row/Rnd 2:** Knit the knit sts and purl the purl sts as they face you. Rep Row/Rnd 2 for Rib.

### **Dash Stitch (multiple of 6 sts + 2)**

**Rows 1-6** With B, work in St st.

**Row 7 (RS)** With A, k1, \* sl3 wyib, k3; rep from \* to last st, k1.

**Row 8 (WS:** With A, k1, \* k3, sl 3 wyif; rep from \* to last st, k1.

**Rows 9-10** With B, work in St st.

**Rows 11-16** With A, work in St st.

**Rows 17-18** With B, rep Rows 7-8.

**Rows 19-20** With A, work in St st.

Repeat Rows 1-20 for Dash Stitch.

### **BACK**

With A, cast on 62 (**68, 74, 80, 86**) sts.

**(WS)** Knit 2 rows.

**(WS)** Begin k1, p1 rib; work 7 rows.

**(RS)** Knit 2 rows.

**(RS)** Change to Dash stitch; work even until piece measures 9 (**10, 11, 12, 13**)" from beg, end with a WS row.

### **Shape Armholes**

**(RS)** Bind off 4 (**5, 5, 6, 6**) sts at beg of next 2 rows – 54 (**58, 64, 68, 74**) sts.

**Dec Row (RS)** K2, ssk, work to last 4 sts, k2tog, k2.

Rep Dec Row every RS row 2 (**2, 3, 3, 4**) more times – 48

(**52, 56, 60, 64**) sts rem.

Work even until Armholes measure 5 (**5½, 6, 6½, 7**)" from beg, end with a WS row.

### **Shape Shoulders**

**(RS)** Bind off 6 (**7, 7, 8, 8**) sts at beg of next 2 rows, then 7

(**7, 8, 8, 9**) sts at beg of next 2 rows – 22 (**24, 26, 28, 30**) sts rem. Bind off all sts.

### **FRONT**

Work as for BACK until Armholes measure 3½ (**4, 4½, 5, 5½**)" from beg, end with a WS row.

### **Shape Neck**

Pm each side of center 10 (**12, 14, 16, 18**) sts.

**(RS)** Work to marker, bind off center sts between markers, work to end of row – 19 (**20, 21, 22, 23**) sts rem each side.

Working both sides at the same time with separate balls of yarn, from each Neck edge, bind off 3 sts once, 2 sts once, 1 st once – 13 (**14, 15, 16, 17**) sts rem each side.

Work even until Work even until Armholes measure 5 (**5½, 6, 6½, 7**)" from beg, end with a WS row.

### **Shape Shoulders**

**((RS)** Bind off 6 (**7, 7, 8, 8**) sts at beg of next 2 rows, then 7

(**7, 8, 8, 9**) sts at beg of next 2 rows.

### **SLEEVES**

With A, cast on 32 (**32, 32, 38, 38**) sts.

**(WS)** Knit 2 rows.

**(WS)** Begin k1, p1 rib; work 7 rows.

**(RS)** Knit 2 rows.

**(RS)** Change to Dash stitch; work 10 rows.

### **Shape Sleeve**

**Inc Row (RS)** K2, M1, work to last 2 sts, M1, k1 – 2 sts inc.

Rep Inc Row every 8th row 5 (**6, 8, 7, 8**) times – 44 (**46, 50, 54, 56**) sts.

Work even until piece measures 11 (**12, 13½, 14½, 16**)" from beg, end with a WS row.

### **Shape Cap**

**(RS)** Bind off 4 (**5, 5, 6, 6**) sts at beg of next 2 rows – 36 (**36, 40, 42, 44**) sts.

**Dec Row (RS)** K2, ssk, work to last 4 sts, k2tog, k2.

Rep Dec Row every RS row 2 (**2, 3, 3, 4**) more times – 30 (**30, 32, 34, 34**) sts rem. Bind off all sts loosely.

### **FINISHING**

Block pieces to measurements. Sew shoulder seams.

### **Neckband**

With RS facing, A and circular needle, pick up and knit 66 (**72, 78, 78, 84**) sts evenly around neck.

Pm and join for working in the rnd.

**Rnd 1** With B, \* sl3 wyib, k3; rep from \* around.

**Rnd 2** With B, \* sl3 wyib, p3; rep from \* around.

**Rnd 3** With A, knit.

**Rnd 4** With A, purl.

Bind off all sts knitwise.

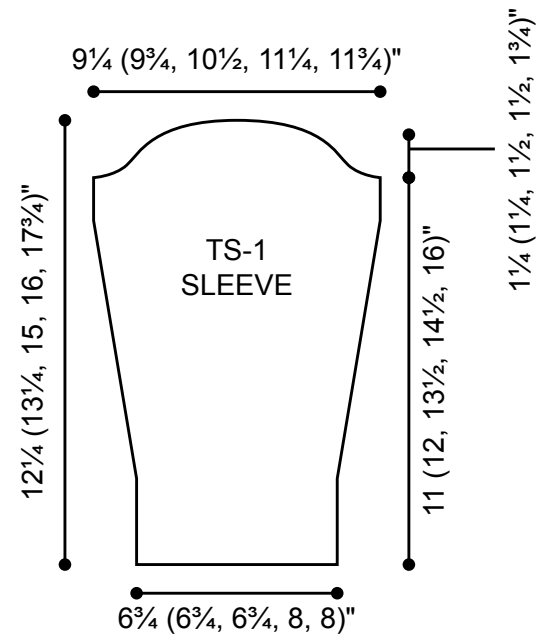
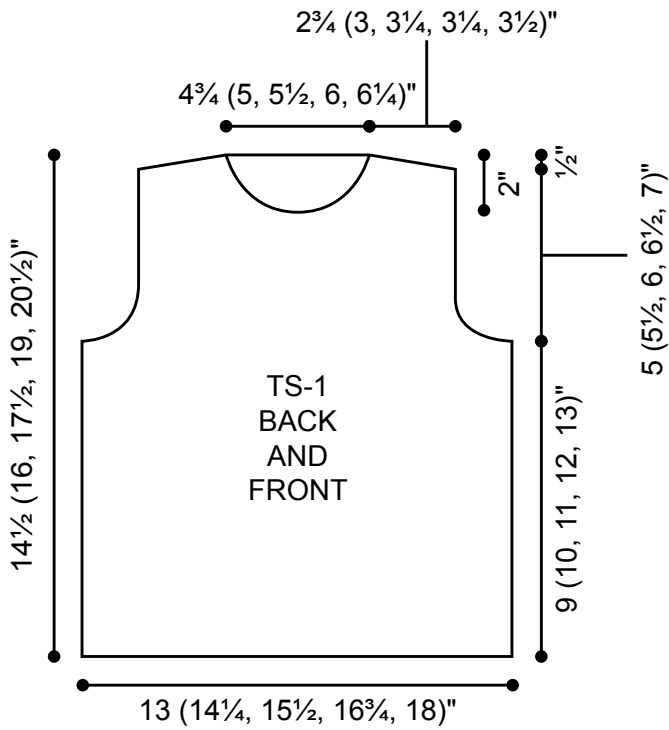
Set in SLEEVES; sew side and Sleeve seams. Weave in ends.

### **ABBREVIATIONS**

<b>beg</b>	begin(ning)
<b>cm</b>	centimeter(s)
<b>dec</b>	decreas(e)(ed)(es)(ing)
<b>inc</b>	increas(e)(ed)(es)(ing)
<b>k</b>	knit
<b>LH</b>	left-hand
<b>mm</b>	millimeter(s)
<b>p</b>	purl
<b>rem</b>	remain(ed)(s)(ing)
<b>rep</b>	repeat(ed)(s)(ing)
<b>RH</b>	right-hand
<b>rnd(s)</b>	round(s)
<b>RS</b>	right side
<b>sl</b>	slip
<b>st(s)</b>	stitch(es)
<b>tog</b>	together
<b>WS</b>	wrong side
<b>wyib</b>	with yarn in back
<b>wyif</b>	with yarn in front

SCHEMATICS ON NEXT PAGE





For more FREE patterns in **NAVAJO**, look for the knit and crocheted shawls and the earflap hat and wristers pictured above at [www.tahkistacycharles.com](http://www.tahkistacycharles.com).